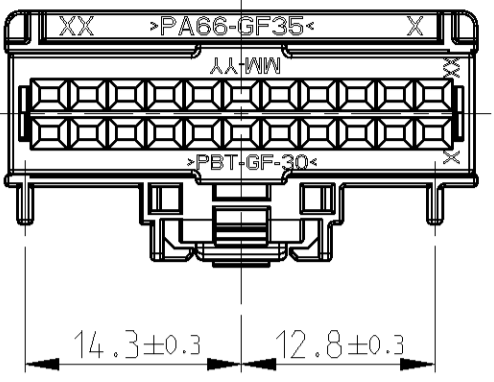
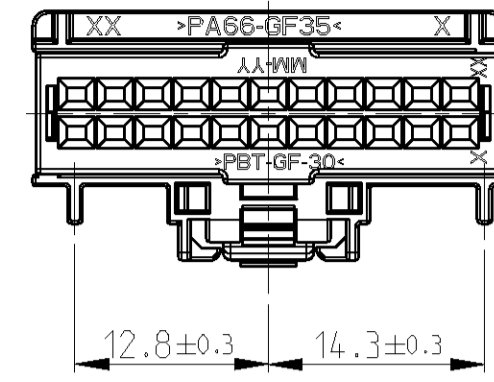


THIS DRAWING IS UNPUBLISHED. RELEASED FOR PUBLICATION 2007  
 © COPYRIGHT 2007 BY TYCO ELECTRONICS CORPORATION. ALL RIGHTS RESERVED.

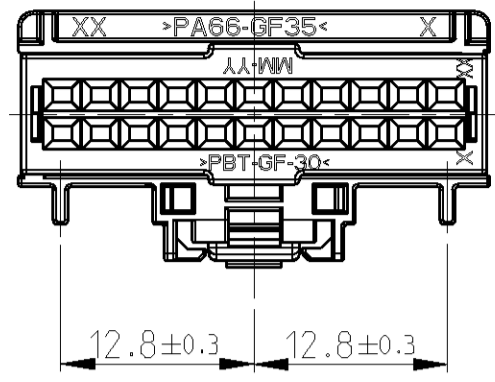
REVISIONS				DATE	DWN	APVD
P	LTR	DESCRIPTION				
B1		SEE PCN EG00-1849-03	21MAY03	BVS	GS	
C		SEE ECR-07-014075	06JUN2007	CS	GS	
D		SEE ECR-10-005783	08APR2010	HM	GS	



KEYING OPTION A

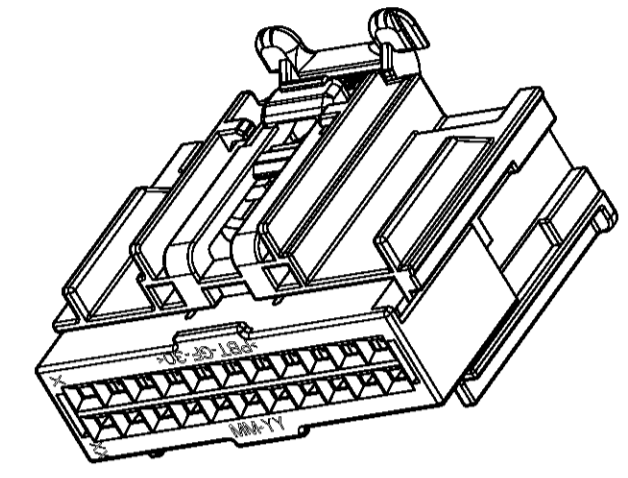
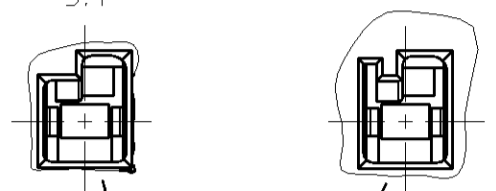


KEYING OPTION B

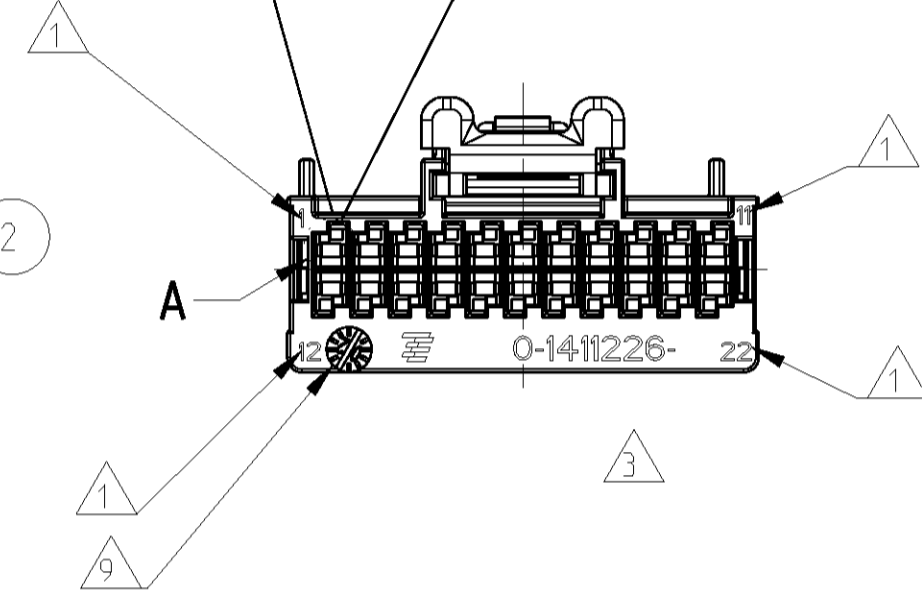
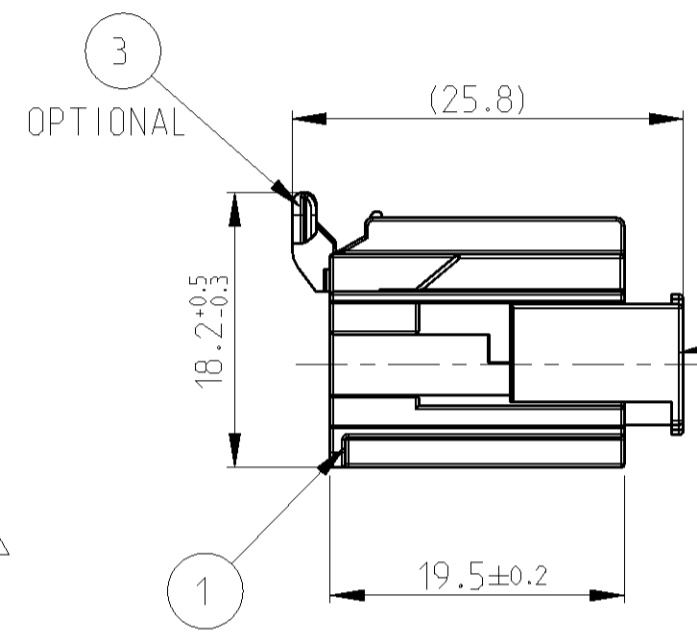
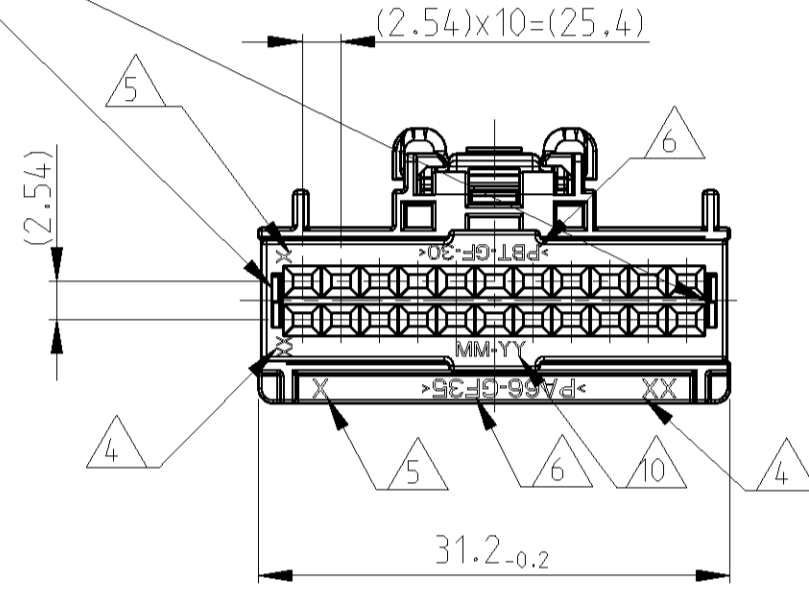
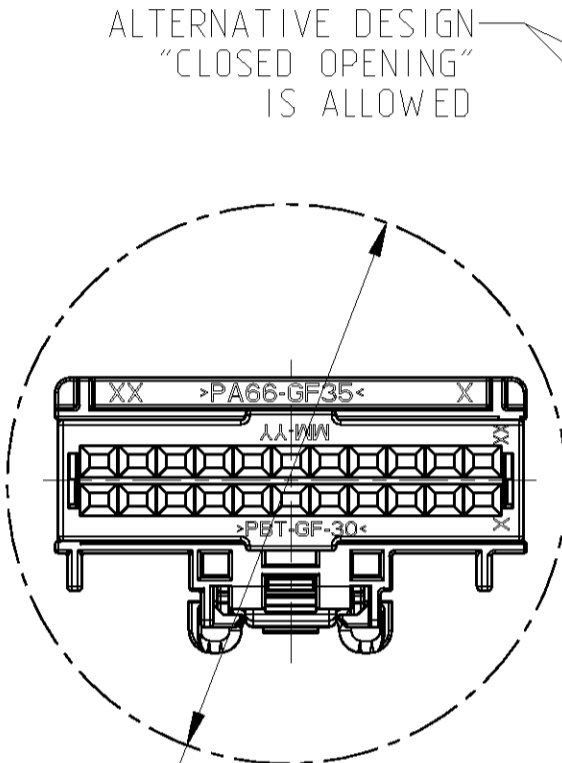


KEYING OPTION C

ALTERNATIVE CAVITY DESIGN ALLOWED



3D VIEW



Ø(37) MIN. incl. 2mm clearance around

NOTE:

- 1 CIRCUIT IDENTIFICATION NUMBERS LOCATED AS SHOWN
- 2 SPACER AND CPA (OPTIONAL) ARE SHIPPED IN PRE-ASSEMBLED POSITION
- 3 PART NUMBER
- 4 PRODUCT RESION LEVEL (OPTIONAL)
- 5 TOOL NUMBER OR CAVITY NUMBER (OPTIONAL)
- 6 MATERIAL IDENTIFICATION
- 7 CONNECTOR ASSEMBLIES PACKED ON TRAY, TRAYS PACKED IN CARD BOX
- 8 KEYING OPTION A IS SHOWN
- 9 HOUSING PRODUCTION DATE
- 10 SPACER PRODUCTION DATE

ASSY. PN.	REV.	DESCRIPTION
2-1419158-9	D	2X11 POS. FEM. ASSY WITH CPA CODE C
3-1419158-0	D	2X11 POS. FEM. ASSY WITH CPA CODE B
1-1419158-7	D	2X11 POS. FEM. ASSY WITH CPA CODE A
0-1420011-3	D	2X11 POS. FEM. ASSY W/O CPA CODE C
0-1420011-2	D	2X11 POS. FEM. ASSY W/O CPA CODE B
0-1420011-1	D	2X11 POS. FEM. ASSY W/O CPA CODE A

X	X	X	X	X	X	DESCRIPTION	MATERIAL	COLOR	ITEM
X						2X11 FEMALE HOUSING COD.C	PA66-GF35	NATURAL	1
	X					2X11 FEMALE HOUSING COD.B	PA66-GF35	GREEN	1
		X				2X11 FEMALE HOUSING COD.A	PA66-GF35	GREY	1
X	X	X	X	X	X	2X11 POS. FEM. SPACER	PBT-GF30	RED	2
X	X	X				CPA	PBT-GF20	RED	3

THIS DRAWING IS A CONTROLLED DOCUMENT FOR TYCO ELECTRONICS CORPORATION. IT IS SUBJECT TO CHANGE AND THE CONTROLLING ENGINEERING ORGANIZATION SHOULD BE CONTACTED FOR THE LATEST REVISION.

DWN: B. Van Sebrouck 05DEC02  
 CHK: G. Steinbach 06DEC02

tyco Electronics AMP GmbH  
 D-64625 Bensheim

NAME: GET SOCKET HOUSING, ASSY, 2X11 POS. / GET BUCHSENGEHAEUSE, ASSY, 2X11 POS.

SIZE: A2 CAGE CODE: 00779 DRAWING NO: 1-1419158-7 RESTRICTED TO: -

SCALE: 5:1 SHEET: 1 OF 1 REV: D